



Minnesota State Council
On Disability

Your technical assistance and
training resource

651.361.7800 (v/tty)

1.800.945.8913 (v/tty)

www.disability.state.mn.us

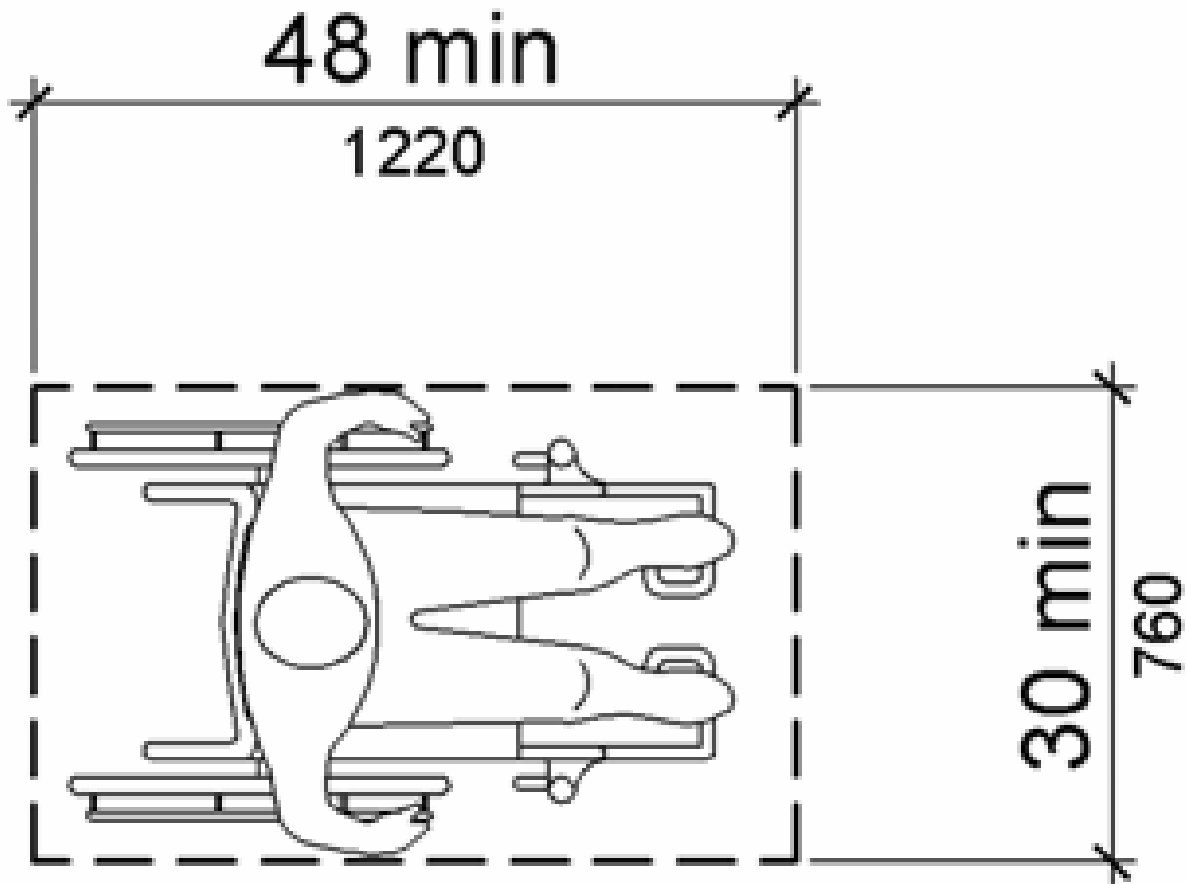
council.disability@state.mn.us

Building Access Basics

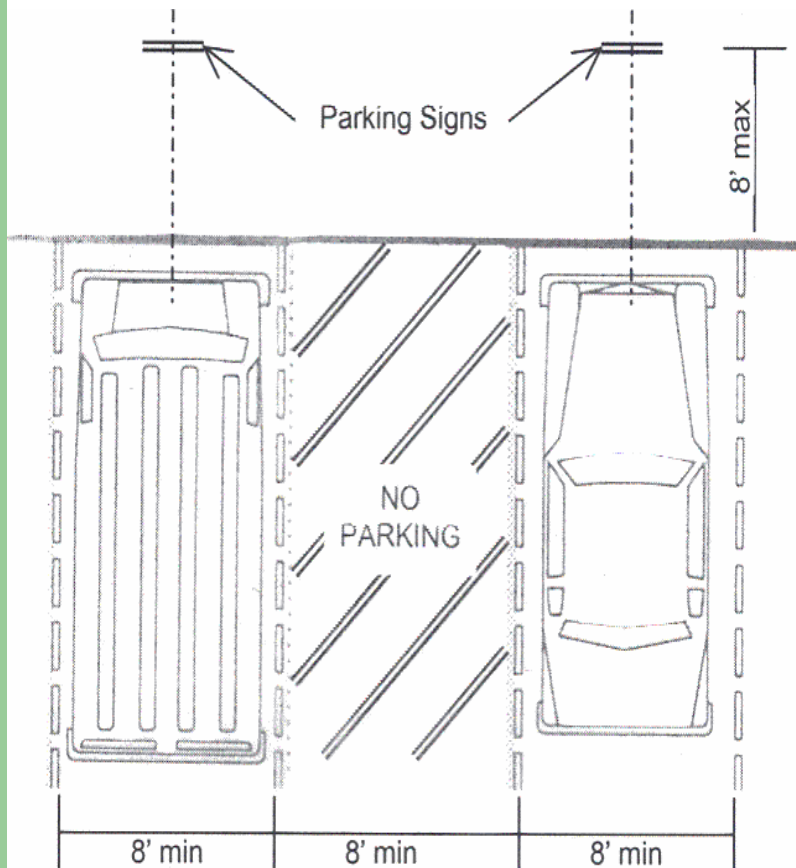
BASICS OF ACCESS

Let's cover some of the everyday basics that are a critical part of overall accessibility.

FOOTPRINT 30 X 48



DISABILITY PARKING



- Disability parking is required at a ratio of 1:25 or a fraction thereof.
- New code requires all access aisles to be 8 feet wide.

DISABILITY PARKING SIGNAGE



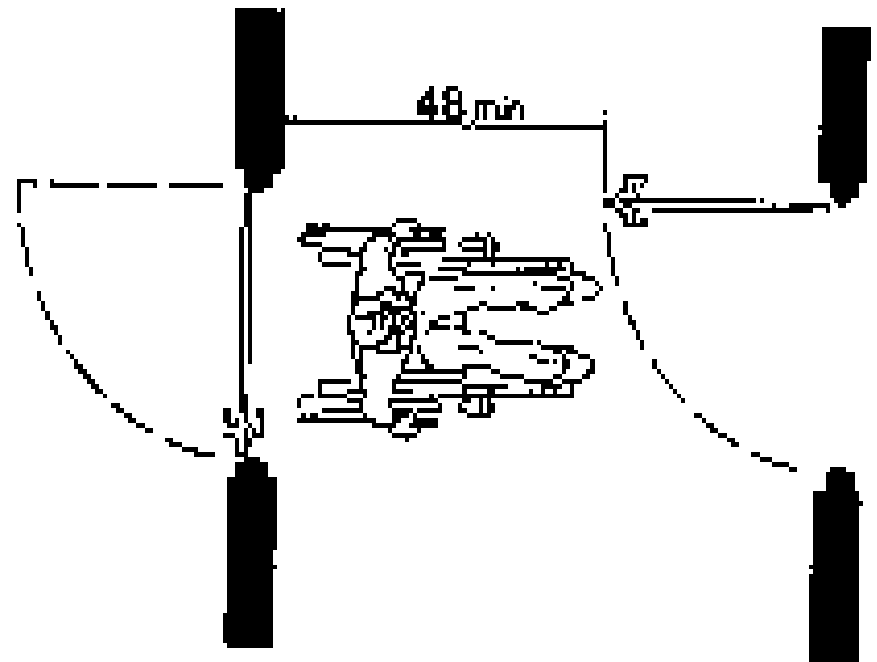
- Required signage per disability parking space.
- Centered at the head of each space.

WALKWAYS

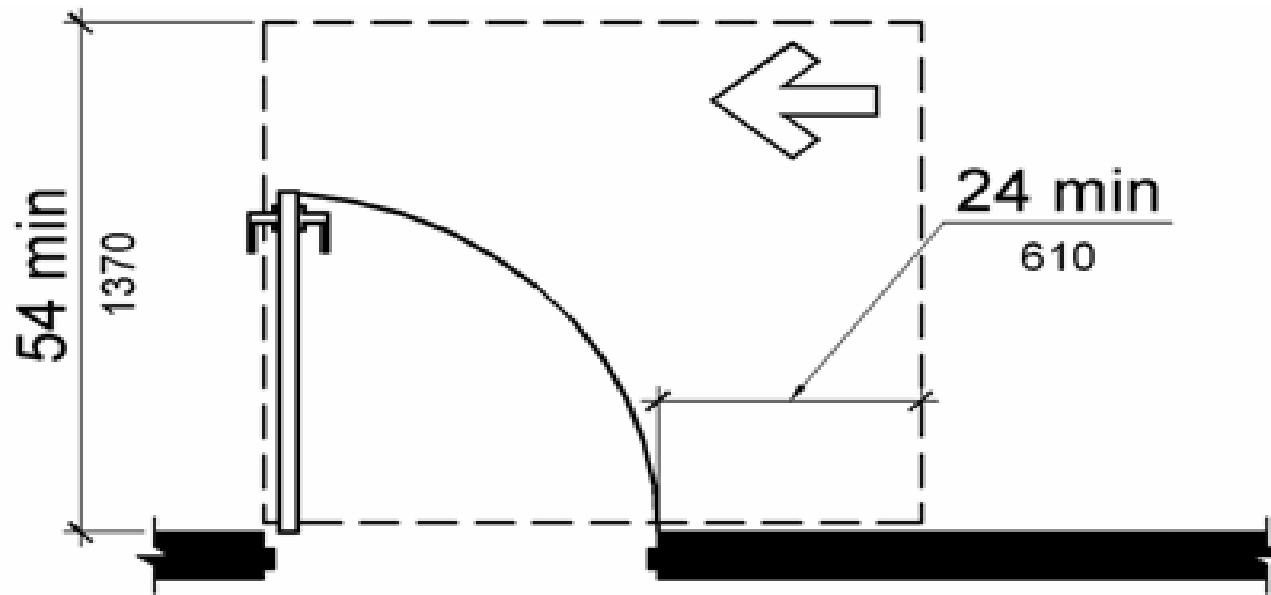
Exterior walkway
maximum slope
1:20 or 5%

ACCESSIBLE DOORWAYS

- Double entry doors should have 48 inches plus the swing of the door.
- Door clearance needs to be a minimum of 32 inches.
- Interior doors should not have more than 5lbs of pressure.



REQUIRED MANEUVERING SPACE

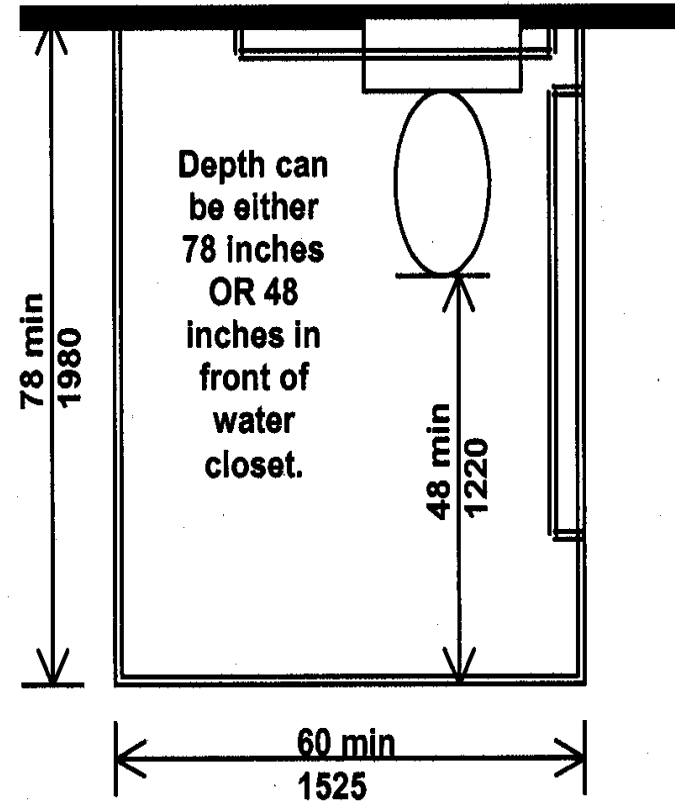


(i)

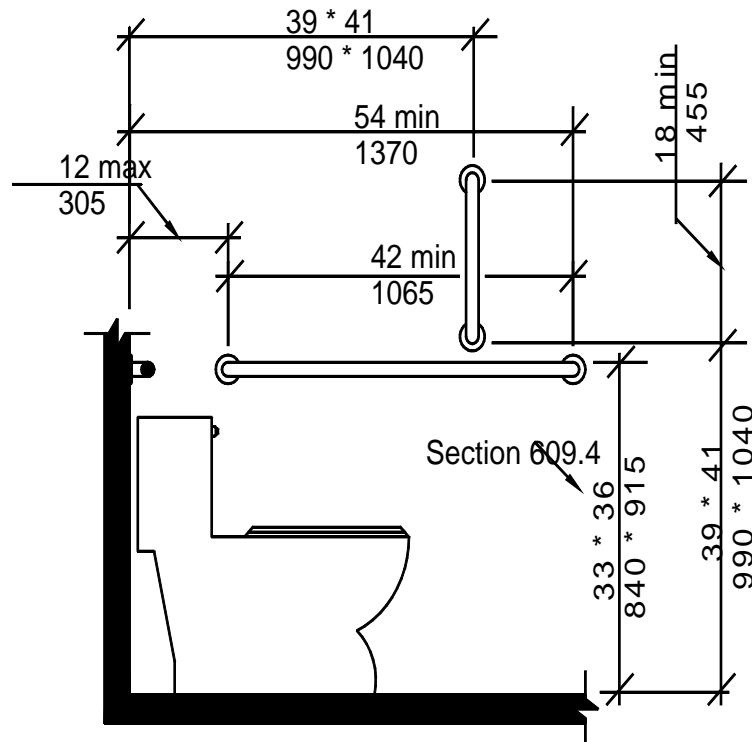
latch approach, pull side,
door provided with closer

ACCESSIBLE RESTROOMS

- Adequate space needs to be provided so that individuals with disabilities have the space needed for maneuvering.

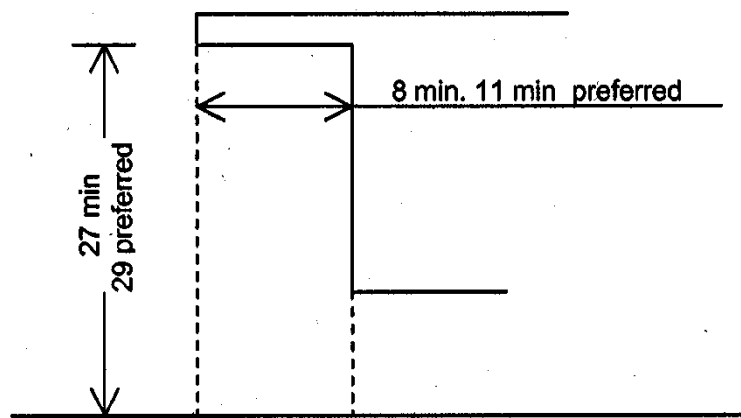


ACCESSIBLE RESTROOMS (2)

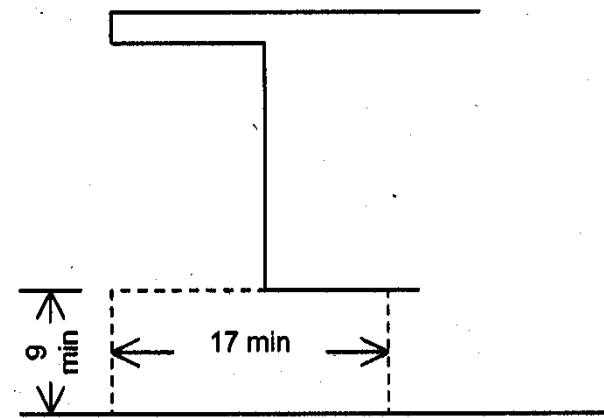


- Grab bars should be provided at side and back walls;
- Raised toilet;
- Toilet paper dispenser below horizontal grab bar.

ACCESSIBLE RESTROOMS (3)



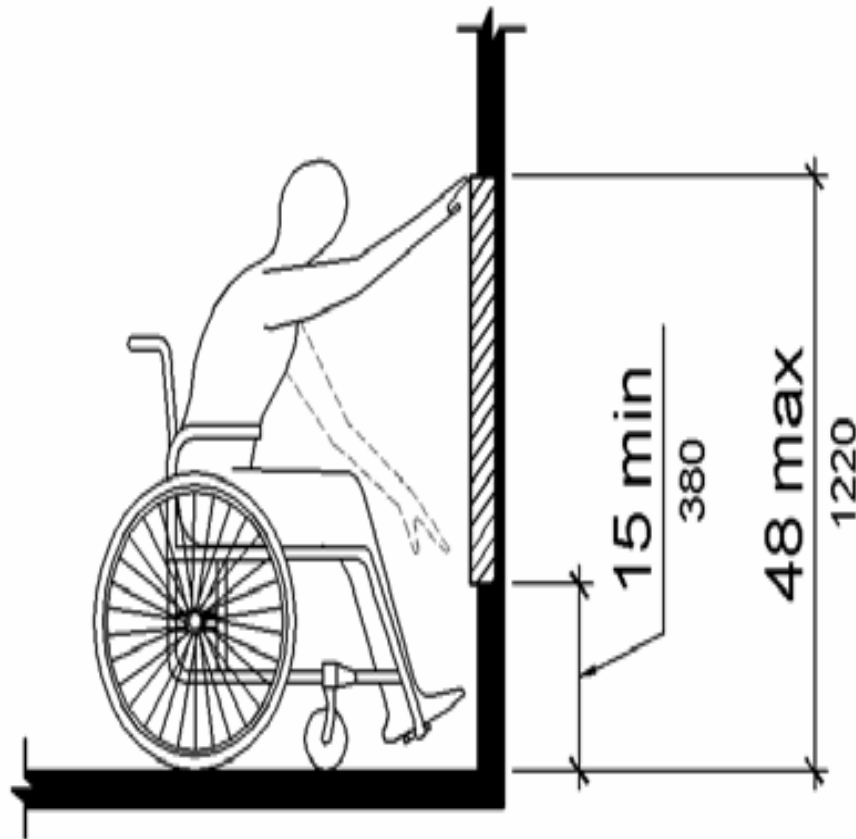
Knee Clearance



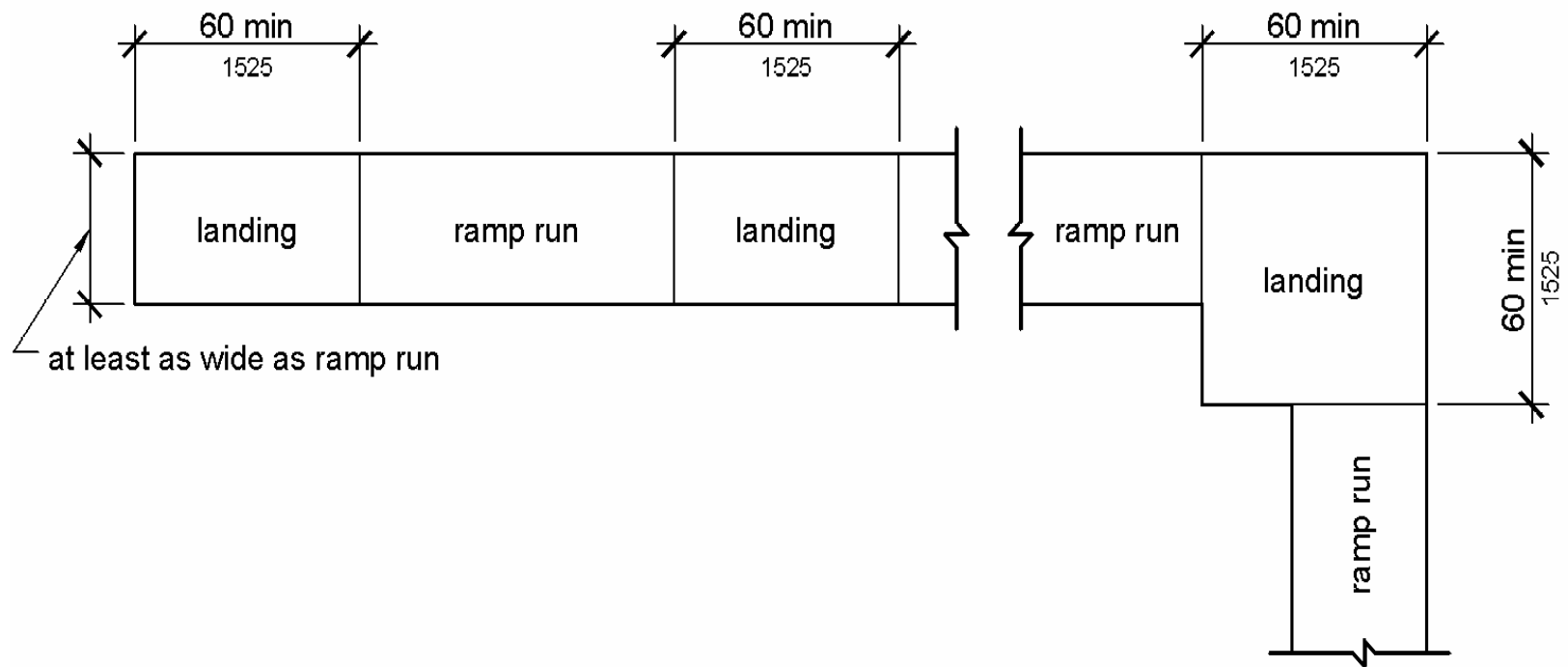
Toe Clearance

- Sink area should be accessible
- Lowered accessories

REACH RANGE FORWARD UNOBSTRUCTED



RAMPS INTERIOR ONLY – MAX SLOPE 1:12



(a)
straight

(b)
change in direction

For Information or Assistance

Contact:

Minnesota State Council on Disability

121 East 7th Place, Suite 107

Saint Paul, Minnesota 55101

651.361.7800 (v/tty)

1.800.945.8913 (v/tty)

www.disability.state.mn.us

Resources

- **US Equal Employment Opportunity Commission (EEOC)**
 - www.eeoc.gov
 - toll free: (800) 669-4000, local number: 612.335.4040
- **Job Accommodation Network (JAN)**
 - www.jan.wvu.edu
- **U.S. Department of Justice**
 - www.usdoj.gov/crt
 - (800) 514-0301
- **U.S. Access Board**
 - www.access-board.gov
 - (800) 872-2253
- **Great Lakes ADA Center**
 - www.adagreatlakes.org
 - (800) 949-4232 (v/tty)