



Your technical assistance and
training resource

651.361.7800 (v/tty)

1.800.945.8913 (v/tty)

www.disability.state.mn.us
council.disability@state.mn.us

Building Access Intermediate Level

The contents of this document are portions of the accessibility chapter of the Minnesota Building Code – **it is not the entire accessibility chapter.**

Access Documents - Federal

- Architectural Barriers Act (ABA) of 1968
- Rehabilitation Act of 1973
- 1988 Federal Fair Housing Amendments
- Americans with Disabilities Act Accessibility Guidelines (ADAAG) 1991
- 2010 ADA Standards for Accessible Design
- American National Standards Institute (ANSI) adopted access requirements into their document

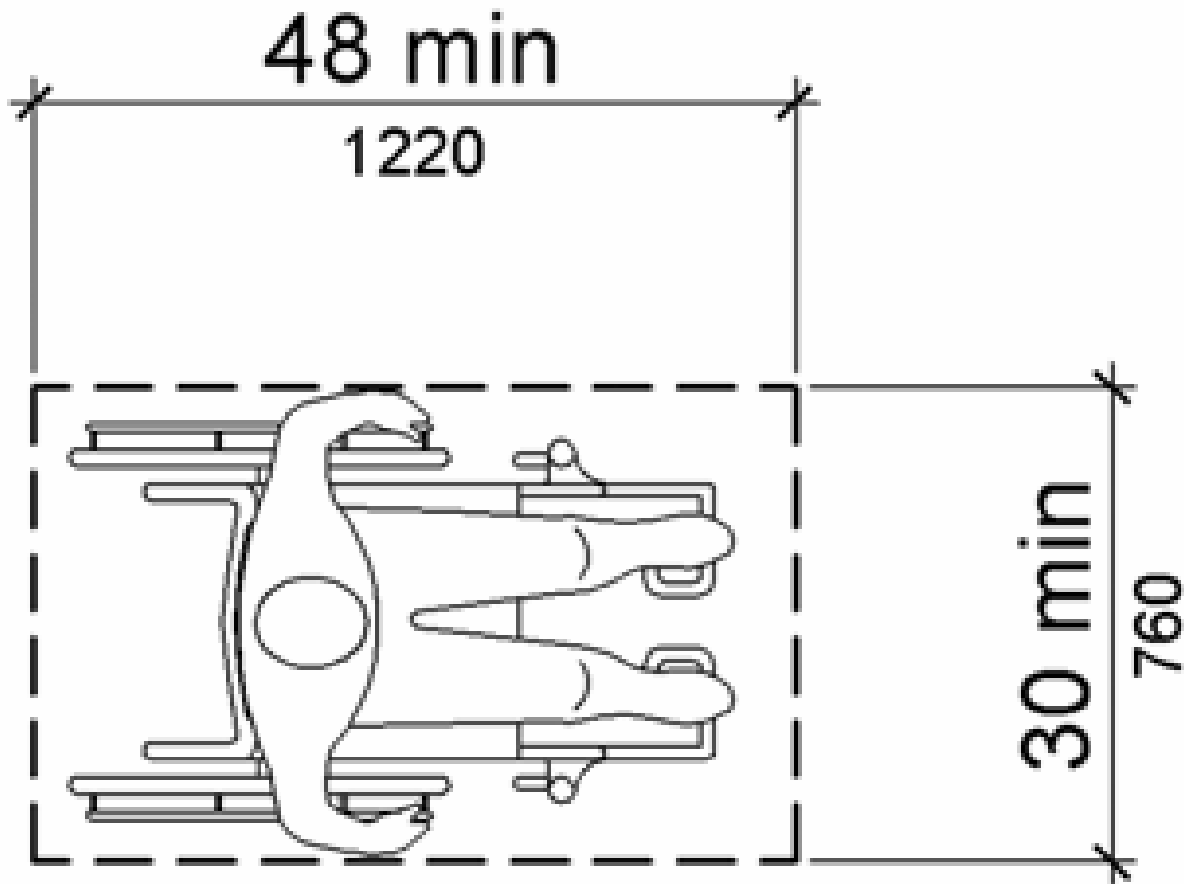
Access Documents – State

- Mention in Fire Code in mid 60's
- **Chapter 55** adopted in 1975
- New accessibility rules, **Chapter 1340** adopted in 1996
- Adopted Accessibility Code **Chapter 1341**, based on the ADA in 1999
- Amended in 2007 & 2015

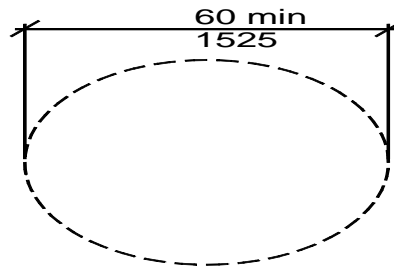
Essential Tools

- tape measurer
- pressure gauge
- level
- pencil & paper

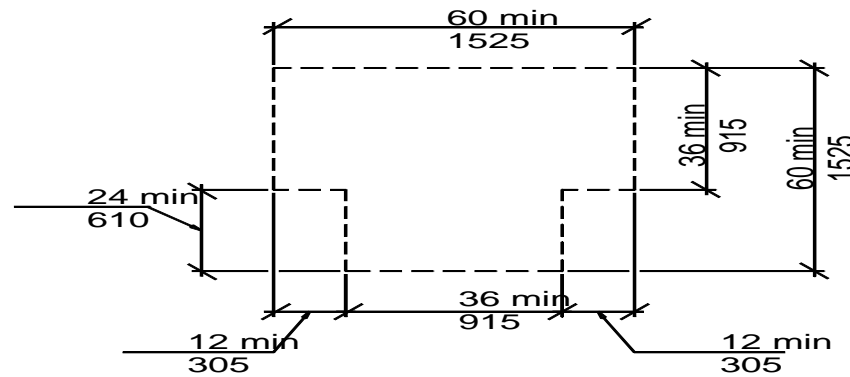
FOOTPRINT 30 X 48



Turning Options

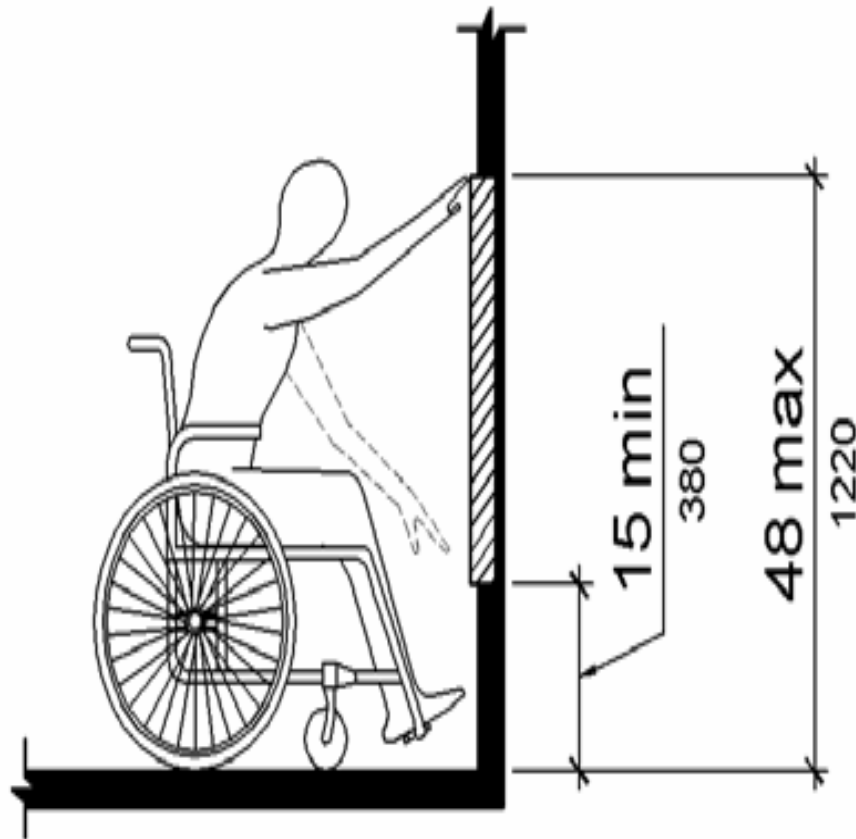


(a) Circular



(b) T-shaped
Fig. 304.3
Size of Turning Space

Reach Range Forward - Unobstructed



Disability Parking Required

Total Parking Spaces Provided	Required Min. Number of Accessible Spaces
1 to 25	1
26 to 50	2
51 to 75	3
76 to 100	4
101 to 150	5
151 to 200	6
201 to 300	7
301 to 400	8
401 to 500	9
501 to 1,000	2%
1,001 and over	20, plus 1 for each 100, or fraction thereof, over 1,000

Disability Parking Required, cont.

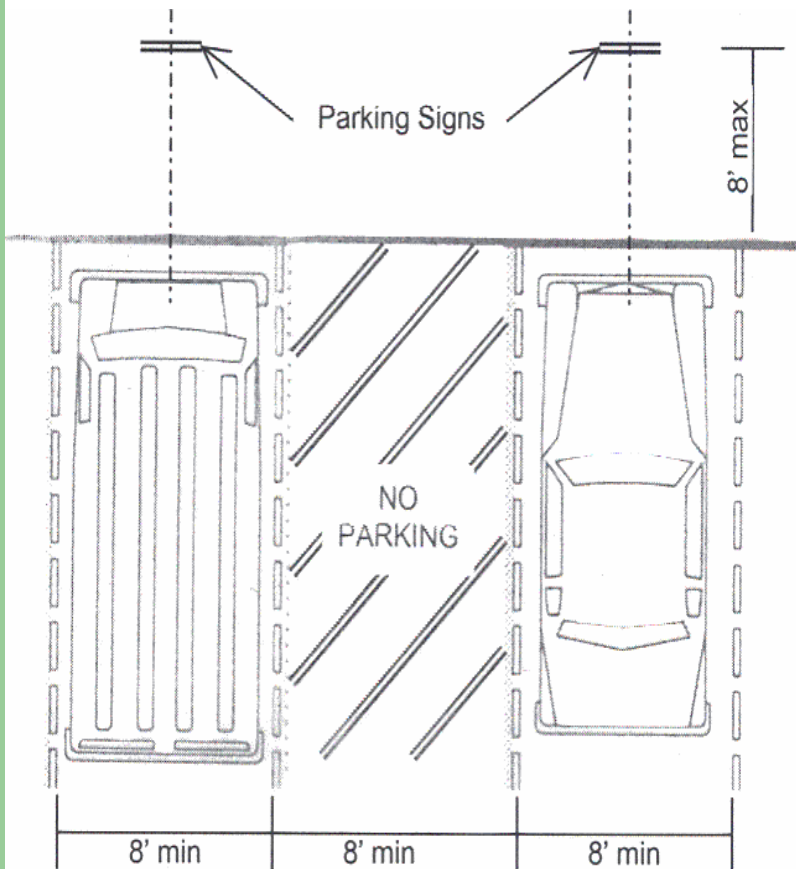
Each parking facility shall provide accessible parking spaces according to Table 1106.1; except where percentages are required for residential facilities, hospital outpatient, and rehabilitation facilities

Disability Parking Signage



- Required signage per disability parking space.
- Centered at the head of each space.

Disability Parking Spaces



The code requires all new and restriped access aisles to be 8 feet wide.

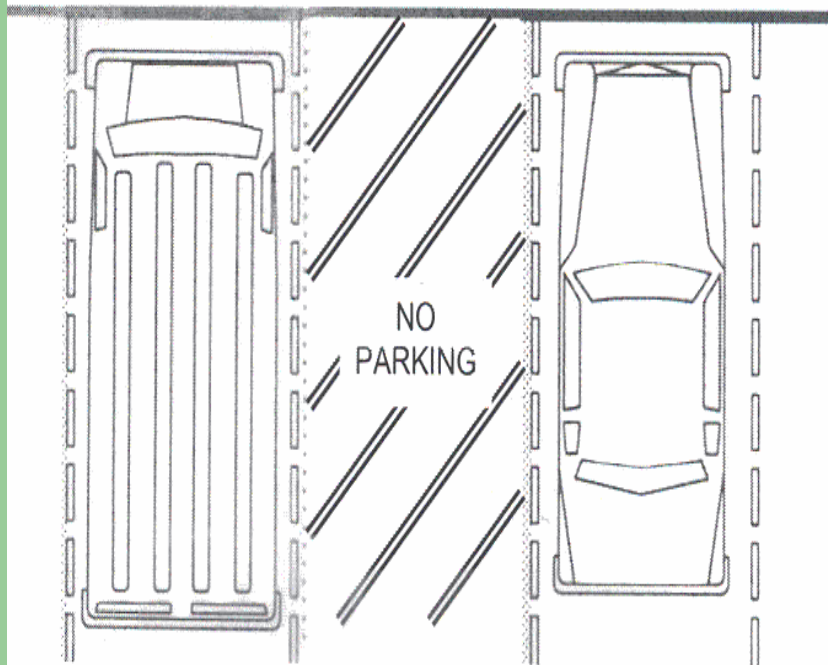
General maintenance is allowed.

Disability Parking Access Aisles



Each access aisle shall be identified by a sign with the designation “no parking” centered at the head end of the access aisle and mounted between 60 inches and 66 inches above the access aisle surface.

Disability Parking Access Aisles, cont.



Where a sign would conflict with the accessible route, the no parking designation can be provided on the surface of the access aisle.

Curb Ramp

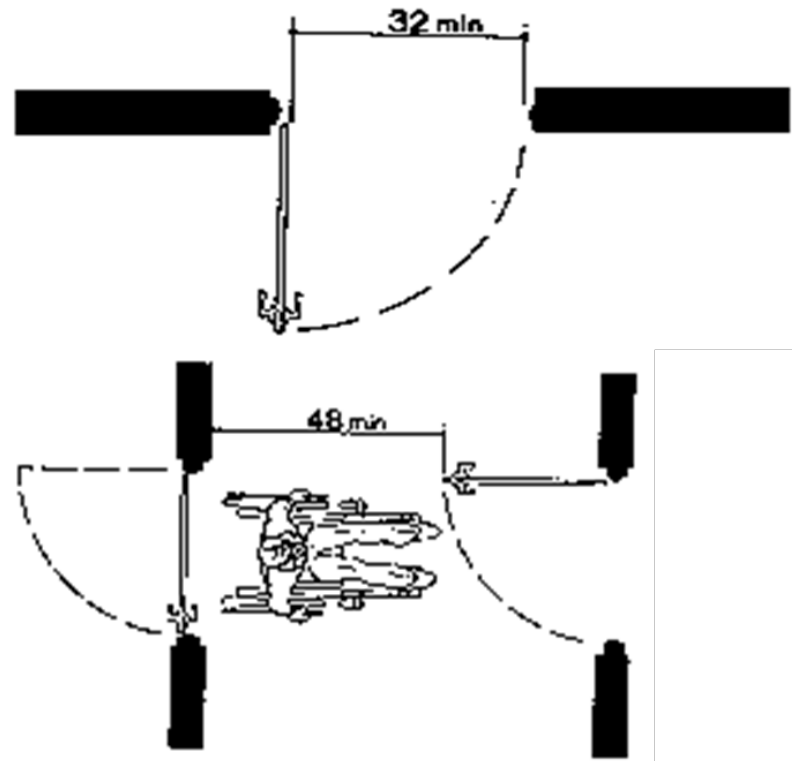
- Curb ramps shall have a running slope of 1:12 maximum.
- Curb ramps shall be 36 inches minimum in width, exclusive of flared sides.
- A landing, 36 inches minimum in length, shall be provided at the top of curb ramps.

Accessible Route

- Accessible routes shall be the shortest route possible and coincide with a primary use general circulation path.
- Four feet wide.
- Maximum slope of 5% or 1:20.
- Maximum cross slope of 2% or 1:48.
- Firm, stable and slip-resistant surface.
- Changes in surface no greater than ½ inch in height or ½ inch in width.

Accessible Doorways

- Door clearance needs to be a minimum of 32 inches.
- Double entry doors should have 48 inches plus the swing of the door.
- Interior doors should not have more than 5lbs of pressure.





Required Maneuvering Space



Hardware, Controls, etc.

Controls, operating mechanisms and hardware intended for operation by the occupant shall be accessible.

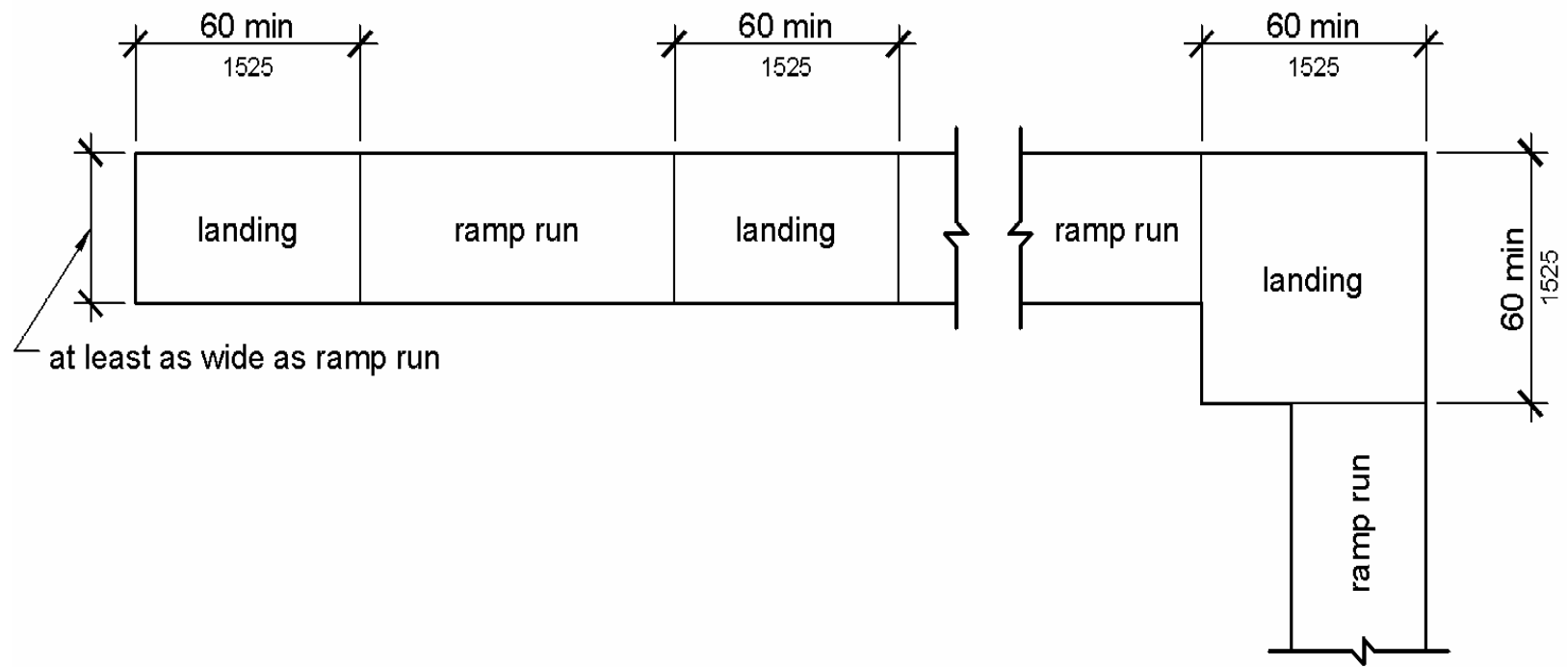
Operable parts shall be operable with one hand and shall not require tight grasping, pinching, or twisting of the wrist.



Ramps

- Ramp runs shall have a running slope not steeper than 1:12.
- The clear width of a ramp run, measured between handrails, shall be 36 inches minimum.
- The rise for any ramp run shall be 30 inches maximum.

Ramps, cont.



(a)
straight

(b)
change in direction

Corridor

Objects should protrude no more than 4 inches from the wall if between 27 inches and 80 inches.

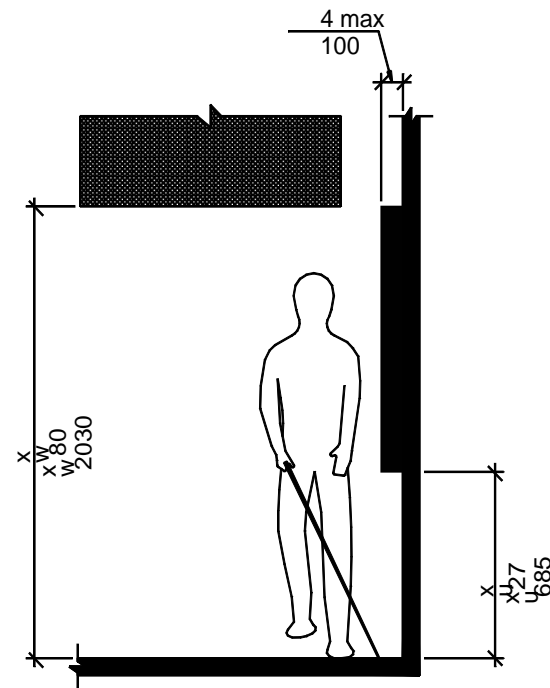


Fig. 307.2
Limits of Protruding Objects

Signage

Tactile signage, including raised letters and braille, is required for toilet rooms, bathing rooms, locker rooms, dressing rooms, fitting rooms, room numbers and room names, and adjacent to each door to an egress stairway, an exit passageway and the exit discharge.



Assembly – Meeting Areas

Each assembly area where audible communications are integral to the use of the space shall have an assistive listening system.

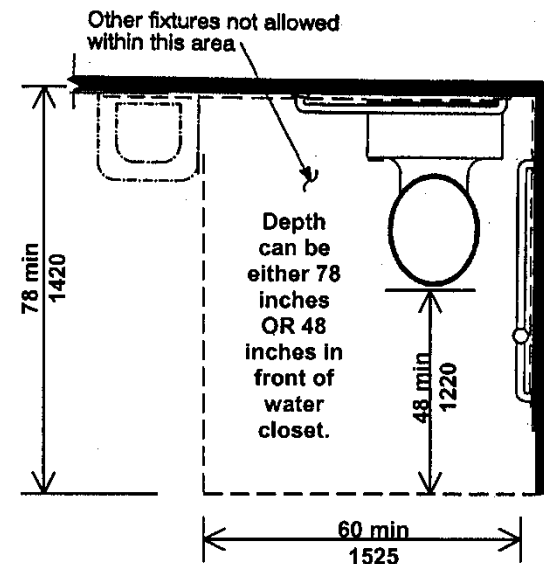


Toilet Rooms

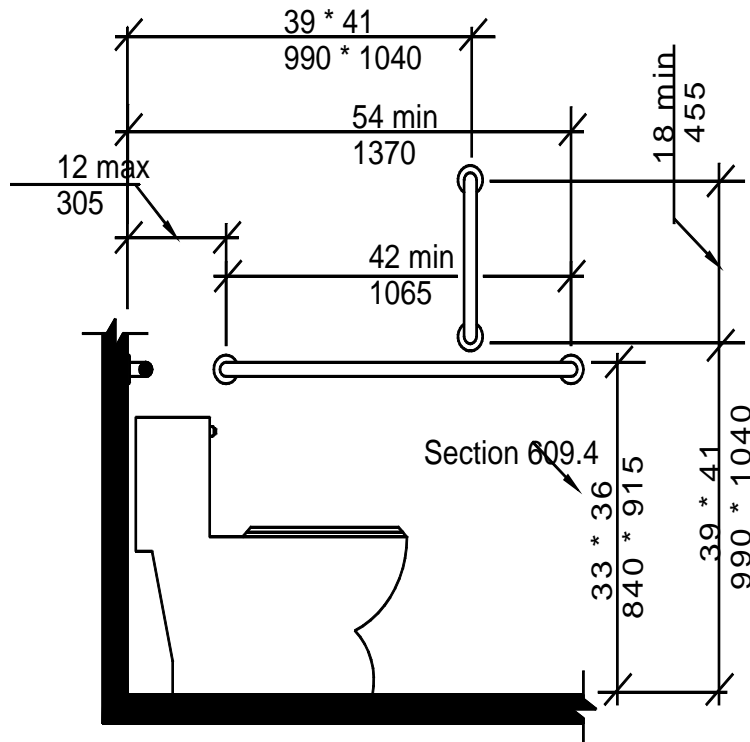
At least one of each type of fixture, element, control or dispenser in each accessible toilet room and bathing facility shall be accessible; except that where no more than one urinal is provided in a toilet room or bathing facility, the urinal is not required to be accessible.

Toilet Rooms (2)

A clearance around a water closet 60 inches minimum, measured perpendicular from the sidewall, and either 78 inches minimum, measured perpendicular from the rear wall, or 48 inches minimum plus the depth of the water closet fixture, measured perpendicular from the rear wall, shall be provided.



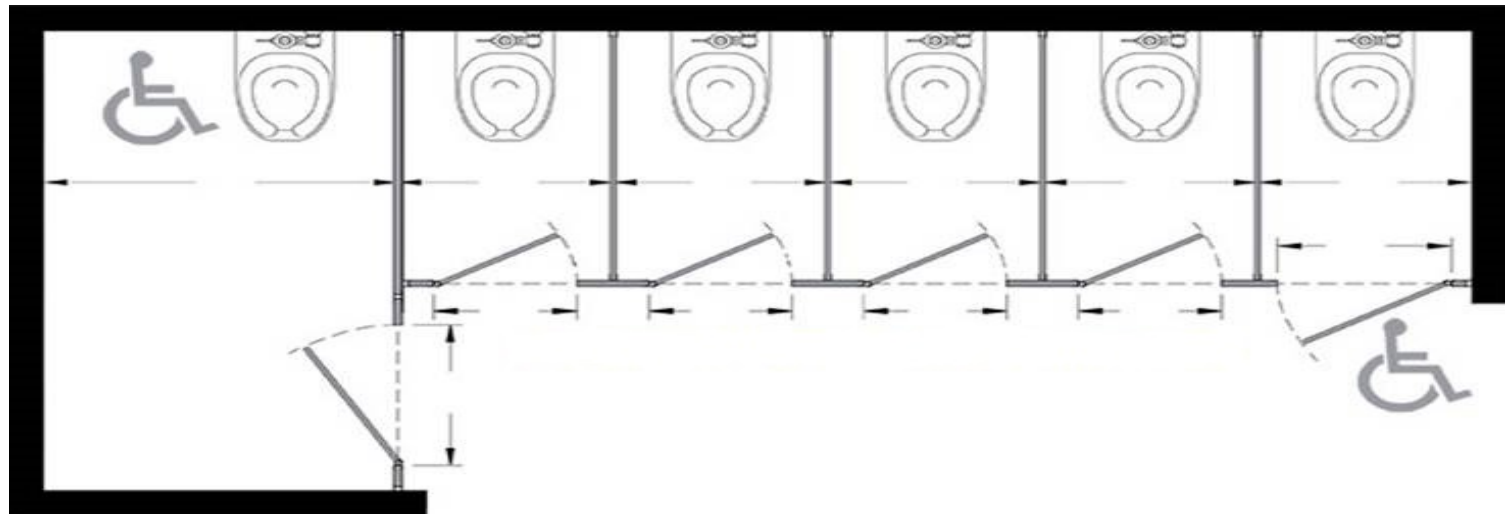
Toilet Rooms (3)



- Grab bars should be provided at side and back walls;
- Raised toilet;
- Toilet paper dispenser below horizontal grab bar.

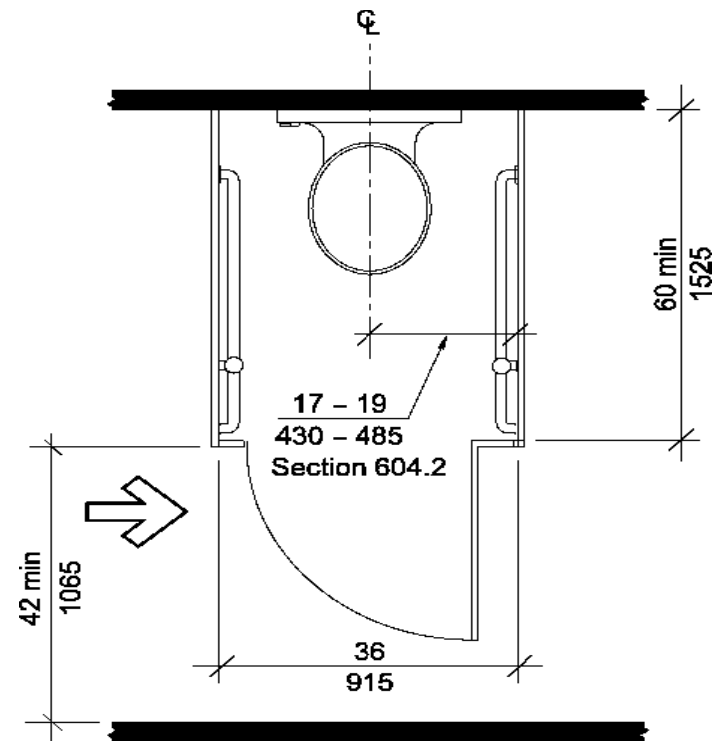
Toilet Rooms (4)

Where two or more water closet compartments are provided in a toilet room or bathing room, at least one ambulatory compartment shall be provided.

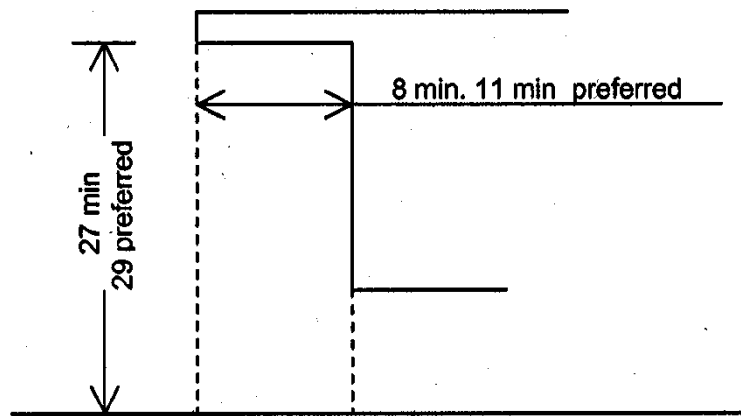


Toilet Rooms (5)

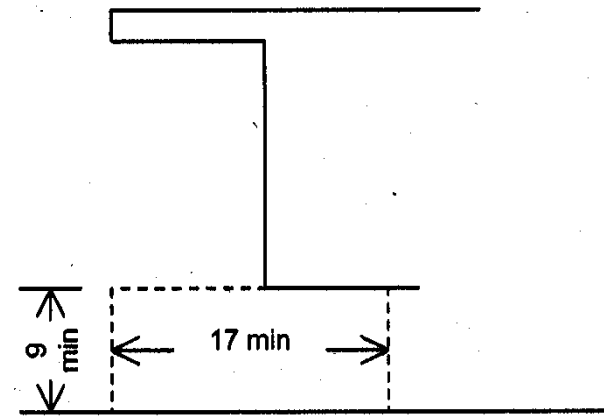
- Ambulatory compartments shall be 36 inches wide and 60 inches minimum in depth.
- The water closet shall be located 17 inches minimum and 19 inches maximum from a side wall.
- Horizontal and vertical grab bars shall be located on both walls.



Toilet Rooms (6)



Knee Clearance



Toe Clearance

- Sink area should be accessible
- Lowered accessories

For Information or Assistance

Contact:

Minnesota State Council on Disability

121 East 7th Place, Suite 107

Saint Paul, Minnesota 55101

651.361.7800 (v/tty)

1.800.945.8913 (v/tty)

www.disability.state.mn.us

Resources

- **US Equal Employment Opportunity Commission (EEOC)**
 - www.eeoc.gov
 - toll free: (800) 669-4000, local number: 612.335.4040
- **Job Accommodation Network (JAN)**
 - www.jan.wvu.edu
- **U.S. Department of Justice**
 - www.usdoj.gov/crt
 - (800) 514-0301
- **U.S. Access Board**
 - www.access-board.gov
 - (800) 872-2253
- **Great Lakes ADA Center**
 - www.adagreatlakes.org
 - (800) 949-4232 (v/tty)